

Patient Floor Scale

Model SR411i

The Model SR411i Patient Floor Scale is a sleek, innovative scale that provides years of reliable service and accurate weight data.

Designed for virtually effortless patient standing comfort, the low-profile and ultra-wide scale is ideal for surgical centers, telehealth applications, and other healthcare settings where a basic, reliable weighing solution is needed. The large, easy to stand on platform measures supports patients up to 880 Lbs. With its always-on AC power supply and high-visibility display, the Model SR411i is ready whenever you need to weigh a patient.



Platform size: 23" x 15"

ANTIMICROBIAL

SR Scales exclusive: contains Microban[®] antimicrobial technology for powerful, continuous product protection against bacteria.

SOLID CAST ALUMINUM CONSTRUCTION

Durable, stable, and easy to clean.

LOW PROFILE DESIGN

Easy and safe access to weighing surface.

ULTRA-WIDE BASE

Unique beveled edges slope upwards to a large, comfortable stand-on base that easily accommodates larger patients.

The entire top of the scale is part of the weighing surface

MEMORY RECALL

Automatically stores the last stable weight.

WALL MOUNTED DISPLAY

Ensures height flexibility and proper placement of easy-to-use, large digital readout.

EHR/EMR READY

Serial data output can be used to communicate with electronic health records through send or get commands.

AC POWERED

Never worry about replacing batteries. The AC adaptor ensures constant power for always-ready usage.

OPTIONAL EQUIPMENT

Wall Mounted Height Rod
Bluetooth enabled data output
(factory option)



4 YEAR
WARRANTY



MADE IN
THE USA

Patient Floor Scale

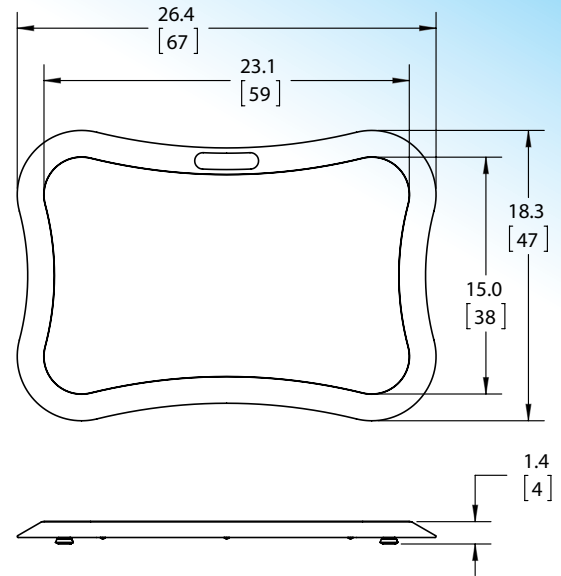
Model SR411i

SYSTEM SPECIFICATIONS

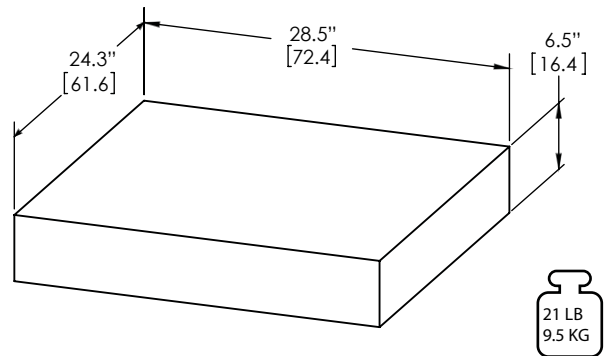
MAX WEIGHT	SR411i-200	440 Lb/200 Kg
	SR411i-300	660 Lb/300 Kg
	SR411i-400	880 Lb/400 Kg
DISPLAY TYPE	1" digit LCD	
DISPLAY RESOLUTION	SR411i-200	0.2 Lb/0.1 Kg
	SR411i-300	0.1 Lb/Kg
	SR411i-400	0.1 Lb/Kg
ACCURACY	0.1% +/- 1 digit of displayed resolution	
DISPLAY UNITS	Pounds / Kilograms	
POWER	AC Wall Power Supply UL Recognized	
MEMORY	Last stable weight is automatically stored in memory. Press RECALL to retrieve.	
SERIAL DATA OUTPUT (EHR)	9-pin serial data output can be used to send weight data to EHR/EMR Systems.	
WARRANTY	SR411i-200	4 years
	SR411i-300	4 years
	SR411i-400	4 years
ANTIMICROBIAL	See www.microban.com/sr-scales for specifications on Microban [®] technology	



DIMENSIONS in [cm]



PACKAGING



ACCESSORIES AND OPTIONS

DESCRIPTION	PART NUMBER
WALL MOUNTED HEIGHT ROD (COMES STANDARD WITH SR411i-400)	SR8591
BLUETOOTH ENABLED SCALE (FACTORY OPTION)	SR411i-xxxBT
REPLACEMENT POWER ADAPTER	FRGSM06U09P1J

