

SR MARINER

AW-1 APPARENT WIND METER

Installation Instructions

Congratulations in choosing a high performance marine instrument and welcome to the growing family of SR Mariner product owners. Since our establishment in 1973, we have engineered our products to give you quality at a reasonable price.

To familiarize yourself with all the features and installation procedures please read the following instructions carefully.

If you still have any questions or comments please call your nearest dealer or call us at (716)693-5977 or write:

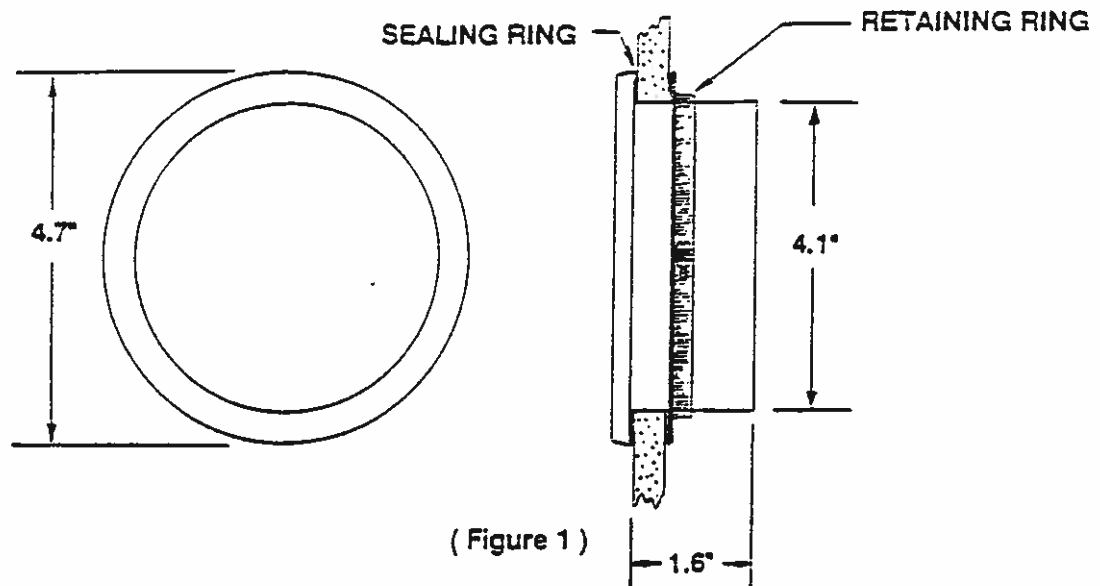
SR Instruments
600 Young Street
Tonawanda, NY 14150
Attn: Service Department

It is recommended that you temporarily hook up your SR MARINER equipment before installation so that you become familiar with its connections and system performance. DO NOT CUT ANY CABLES, but connect according to wiring diagram (fig.2). Turn the wind vane on the mast unit to test the system. If all functions perform satisfactorily, proceed with installation. If the system fails to perform, check all connections. If system still fails to perform check with your dealer for advice and/or replacement if needed.

NOTES:

1. Although the white wire is not used for the Apparent Wind display, provisions are made in the masthead unit to permit later addition of a Windspeed system - the WS-1.

2. If it is desired to have the masthead unit facing AFT the wind vane must be realigned. First turn the vane so it points dead astern, then remove the vane by loosening the two 1/16" allen set screws. Turn the potentiometer shaft until the display reads 180 degrees. Carefully install the vane pointing dead astern and tighten the screws. Seal the set screws with loctite or equivalent.



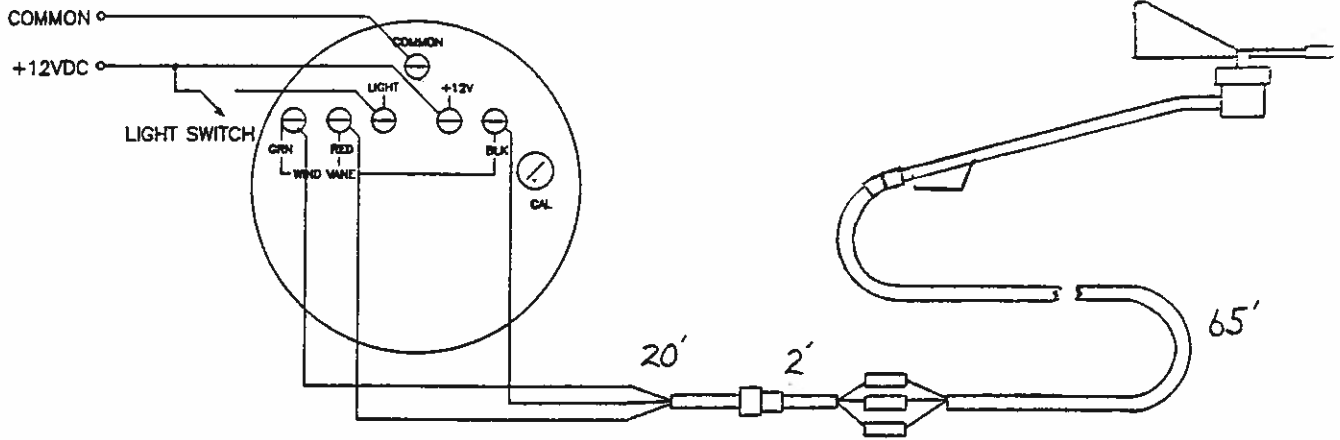
INSTALLING THE DISPLAY

1. Cut a 4-1/16" (max 4-1/8") diameter hole in the bulkhead or instrument panel where the display unit is to be mounted (fig.1).
2. Be sure to remove all burrs and clean the face of the bulkhead or panel with detergent to remove all traces of dirt, oils, fingerprints, etc...
3. Each display unit is furnished with an adhesive backed sealing ring to hold the unit fast in place and creates a water tight seal. Please note that it is not recommended that the paper backing be removed until the system is tested and finally calibrated. When ready for final mounting simply remove the paper backing, position unit correctly and firmly press into place.
4. Install the RETAINING RING as shown and tighten with a blade type screwdriver.

INSTALLING THE MAST UNIT

1. Mount the mast unit (MAW) to the top of the mast facing FORWARD, using four screws.
2. Take the connector of the 65 foot cable and connect to the mast unit. run the free end of the cable down or through the mast, exiting above or below the deck as conditions permit. Cut the cable to length.
3. Splice the 2 foot cable to the free end of the 65 foot cable. It is preferred to solder these connections and insulate with heat shrinkable tubing, but if this is not convenient, use the crimp connectors provided.
4. Connect the 20 foot cable and run the free end to the display. Cut to length and attach terminals to the wires.

BACK OF DISPLAY



(Figure 3)

WIRING AND CALIBRATION

1. Connect the cable wires to the display as shown in figure 2.
2. If you choose to connect night lighting, simply connect your 12 volt D.C. wire as indicated above and install a SPST switch on the positive (+) line to complete the circuit and activate the lights.
3. Your unit is factory calibrated and should not require any adjustments, however, if a condition exists to which you find it necessary to recalibrate, simply remove the plastic plug from the hole marked CAL.
4. Evaluate proper reading and adjust the calibration potentiometer accordingly. NOTE: PLEASE DO NOT APPLY EXCESSIVE FORCE TO THE CALIBRATION POT.

POWER CONSUMPTION

LIGHTS	AMPS
OFF	.009A
ON	.050A

ACCESSORIES

- | | |
|-----------|-------------------------------------|
| WV | WIND VANE |
| 6637S | 5K POT FOR MAST UNIT |
| ICW-1 | INSTRUMENT COVER |
| CLP RING | CLAMP RING |
| MC-1 | METER CASE FOR (YOUR MODEL NUMBER) |
| SEAL RING | GASKET FOR INSTRUMENT GAUGE |

Made in the USA